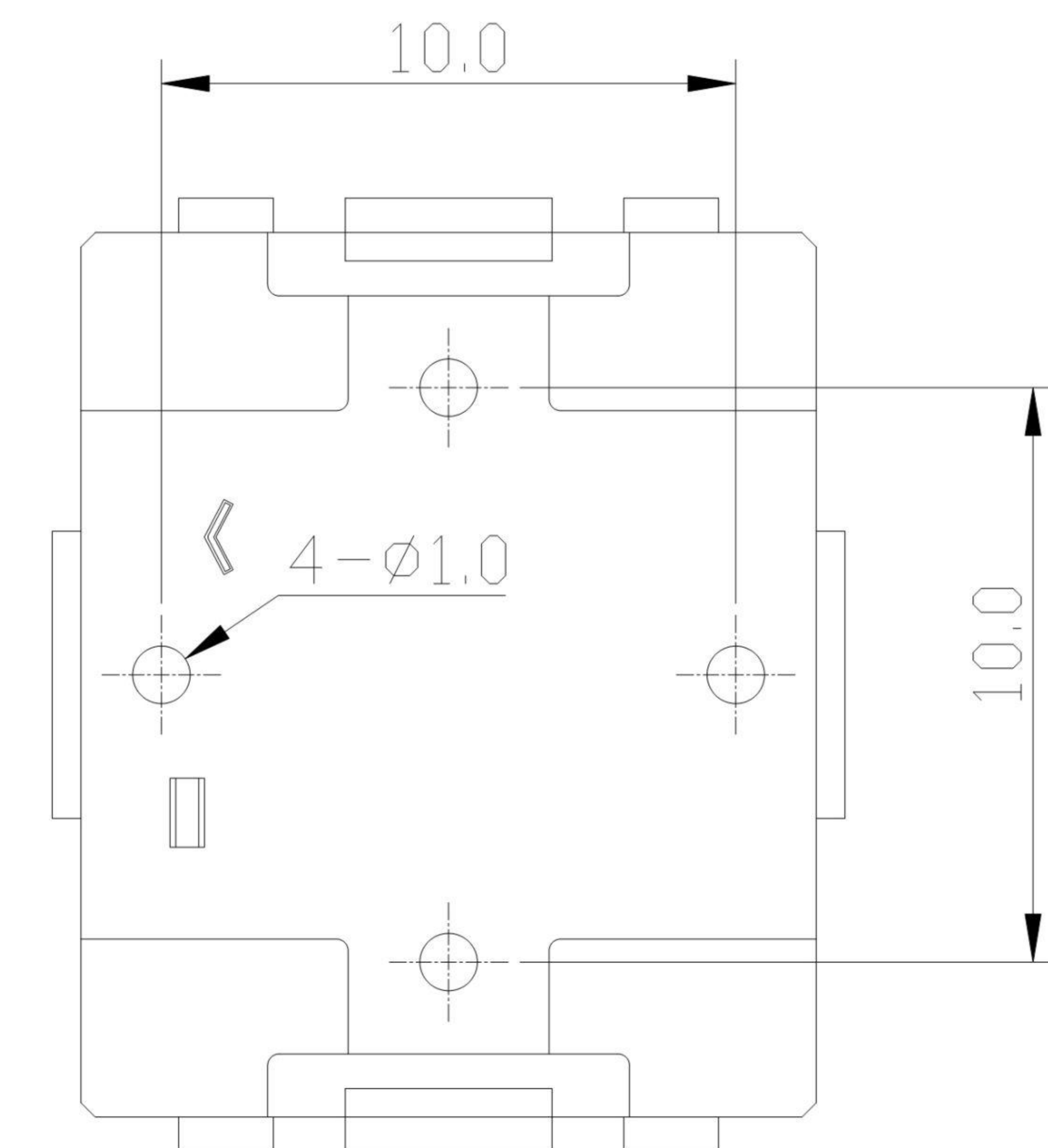
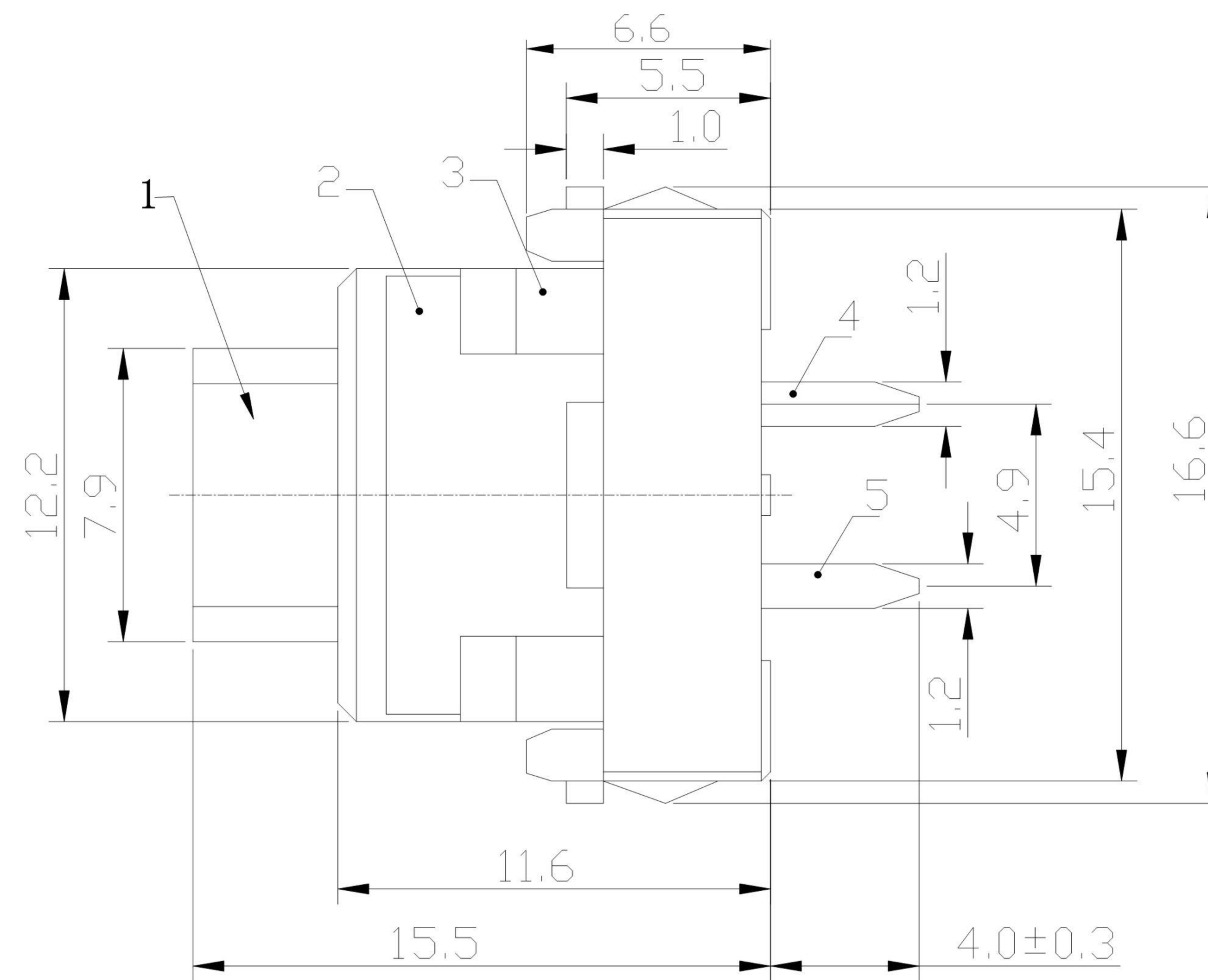
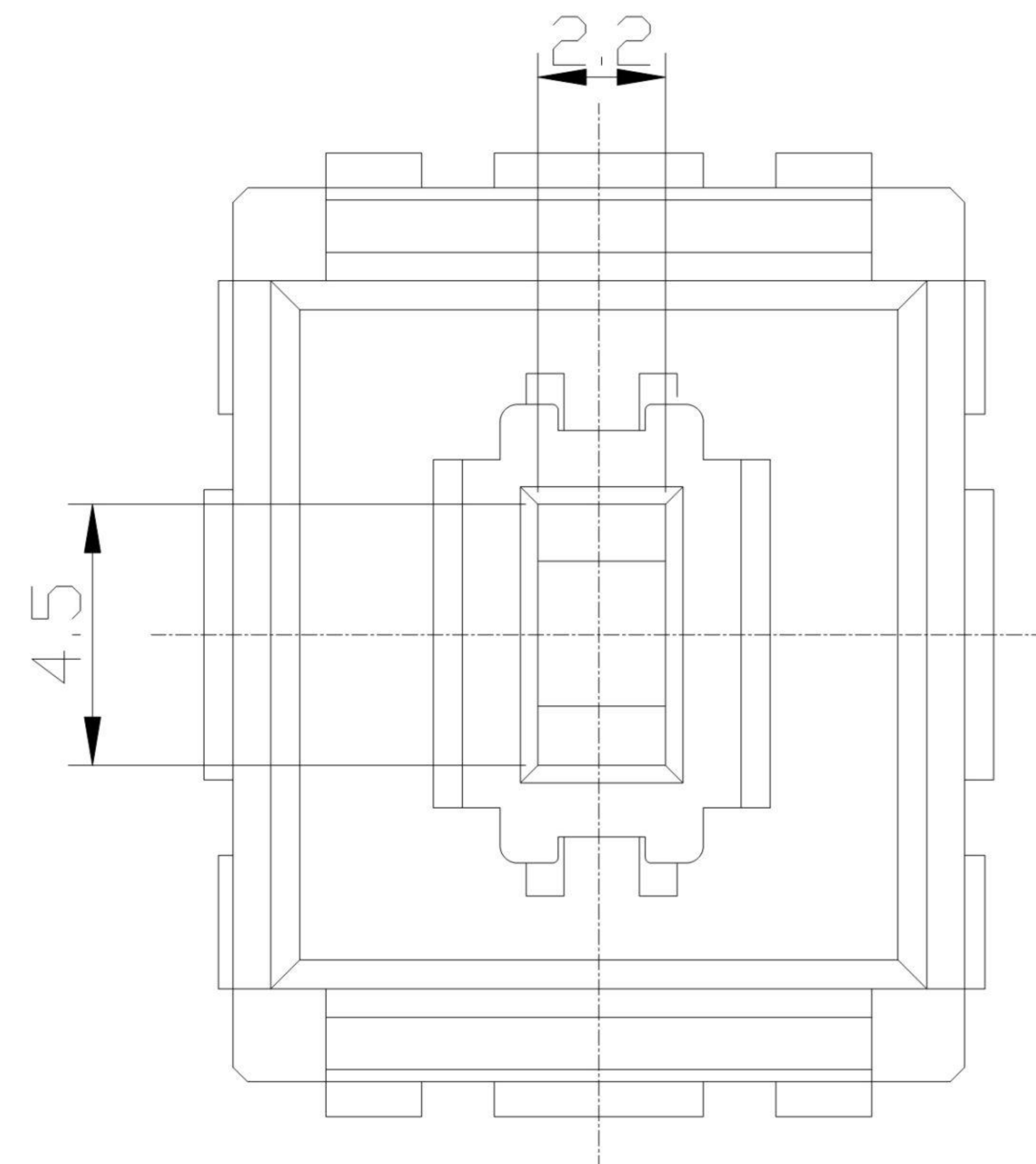
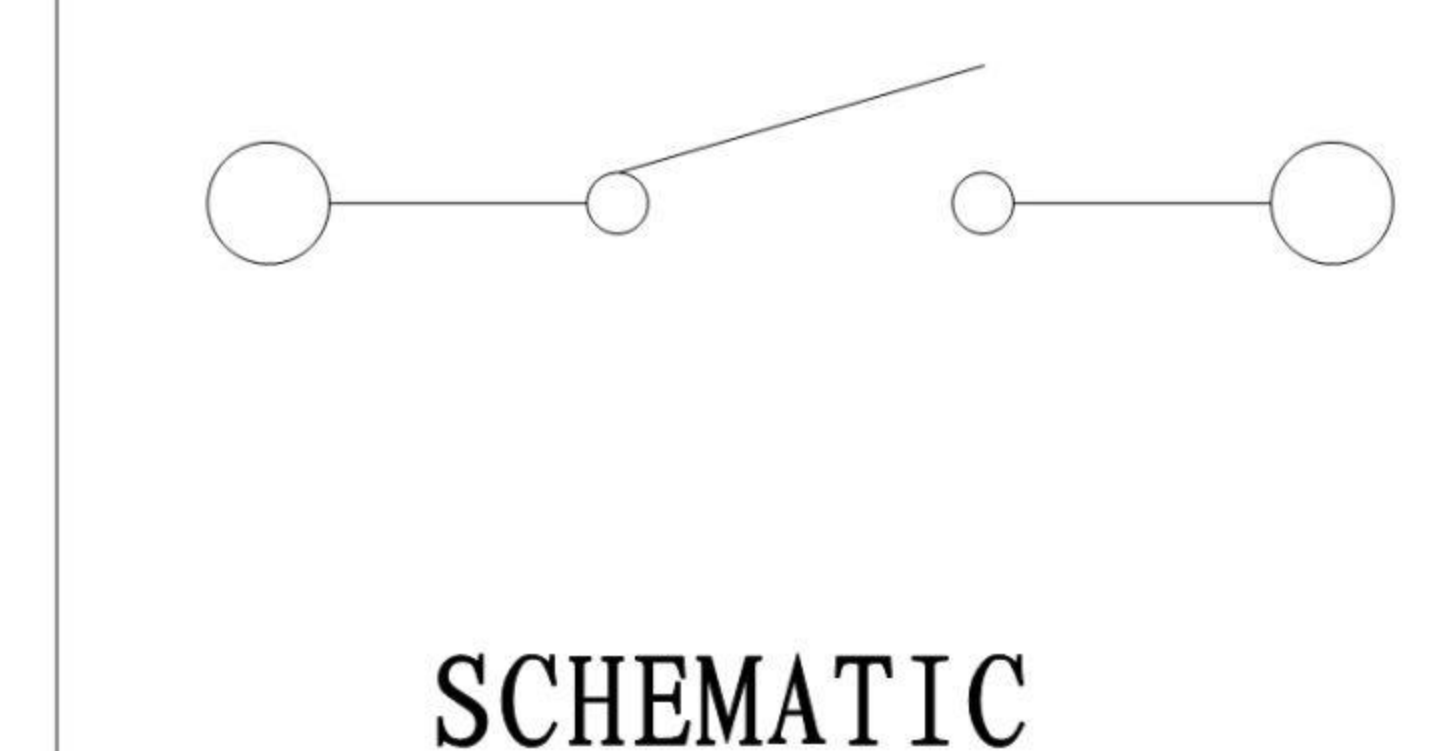
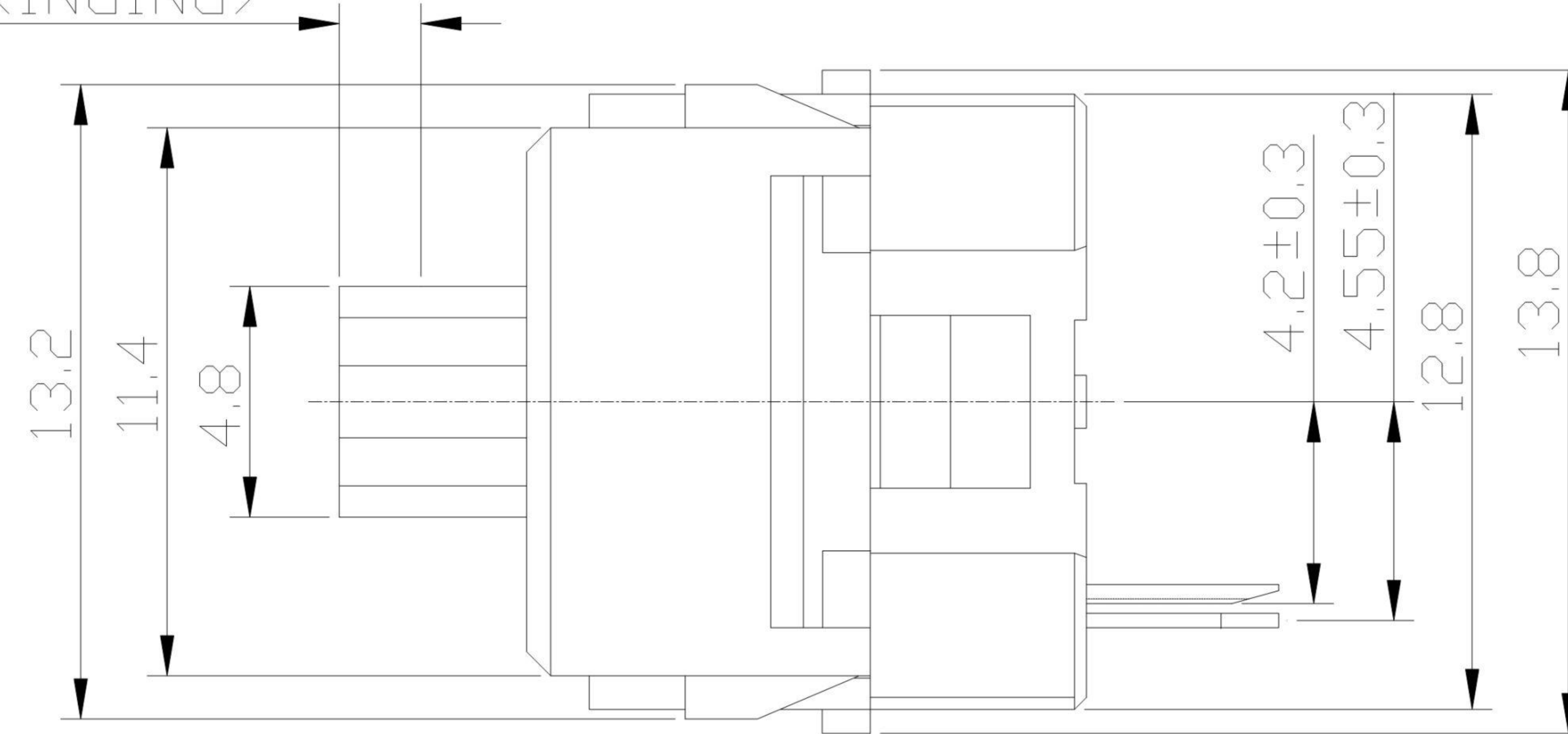


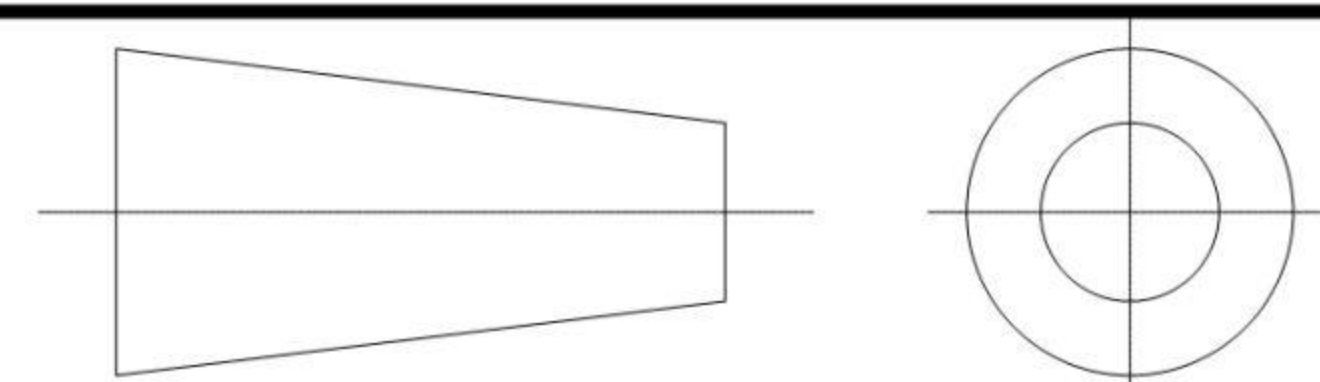
1.5±0.5 TRAVEL (RINGING)



Dongguan YingXin Electronic Technology Co., Ltd.

TITLE : VERTICAL PUSH SWITCH

MODEL : PB11C05



TOLERANCE

ANGLE TOL

≤5.0mm ±0.2

> 5.0mm ±0.3

±2°

UNIT : MM	DWN.	DATE
SCALE : 3 : 1	CHK'D	DATE
VERSION 01	APPD.	DATE

NO.	PART NAME	MATERIAL	QTY	FINISHING
7	SPRING	SUS	1	NATURE
6	SPRING PLATE	SUS t=0.08mm	1	NATURE
5	TERMINAL	BRASS STRIP t=0.3mm	1	Ag PLATED
4	TERMINAL	PBS STRIP t=0.1mm	1	Ni PLATED
3	CASE	ABS	1	BLACK
2	COVER	NYLON	1	BLACK
1	KNOB	POM	1	WHITE